



# BUSBAR HOLDER

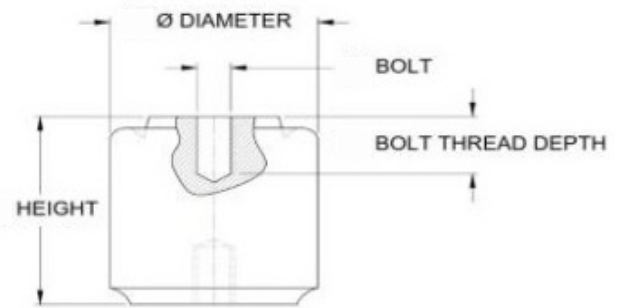


## CHARACTERISTICS

PM Busbar Holder is used to support the busbar on the equipment requires separator insulation between the busbar and other metal components so that no current flows out between the busbar. Insulating busbar supports allow the fixation of a copper or busbar. Support as electrical resistance, heat resistance, fire resistance, low shrinkage.

## ADVANTAGE OF PRODUCTS

- Material : Phenolic, Hexagonal Brass
- Colour : Black
- Passed the megger test over 100 MOhm



PRODUCTS DESCRIPTIONS

TYPE OF PRODUCTS

NO	TYPE	SPECIFICATION (mm)				BUSBAR DIMENSIONS (Width x Thick)	RECOMMENDATION	
		DIAMETER (mm)	HEIGHT (mm)	BOLT (mm)	BOLT THREAD DEPTH(mm)		BOLT RECOMMENDATION	TORQUE RECOMMENDATION (N.M)
1	30x40	30	40	6	12	30x5, 25x5, 20x5, 30x4, 30x3, 20x3, 15x3	M 6x15	2.6
2	40x40	40	40	8	12	40x10	M 8x25	6.2
						40x5, 40x4	M 8x15	
3	50x40	50	40	10	12	50x10	M 10x25	12.5
						50x5	M 10x15	
4	40x60	40	60	10	15	40x10, 40x8	M 10x25	12.5
						40x6, 40x5, 40x4	M 10x20	
5	60x60	60	60	12	15	80x10	M 12x25	21
						80x5	M 12x20	
						60x10	M 12x25	
						60x6, 60x5	M 12x20	

### Marketing Office

Jl. Pangeran Jayakarta No. 141M  
 Central Jakarta 10730  
 Jakarta - Indonesia  
 Tel.: +62 21 2268 599  
 Fax: +62 21 2268 3803  
 E-mail: pen@pumaelektrik.com  
 www.pumaelektrik.com

